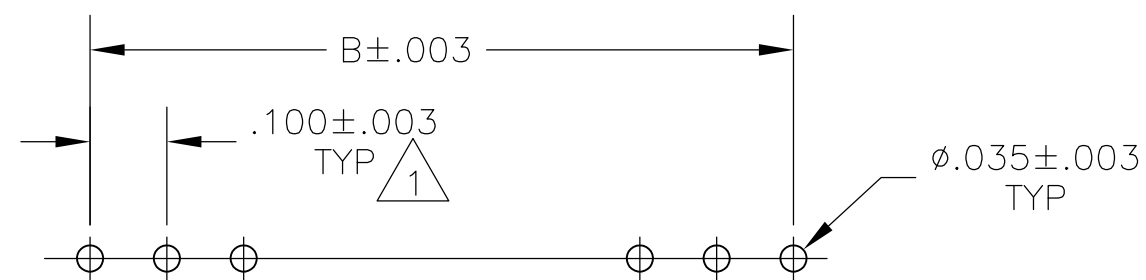
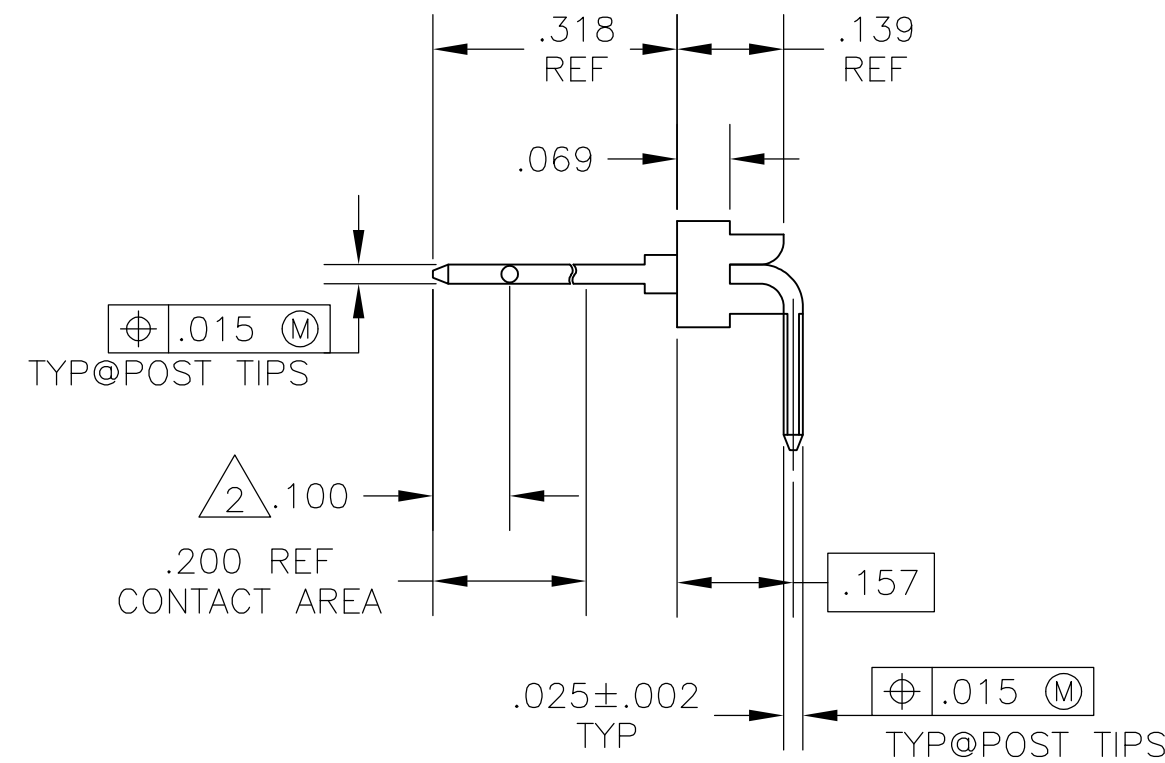
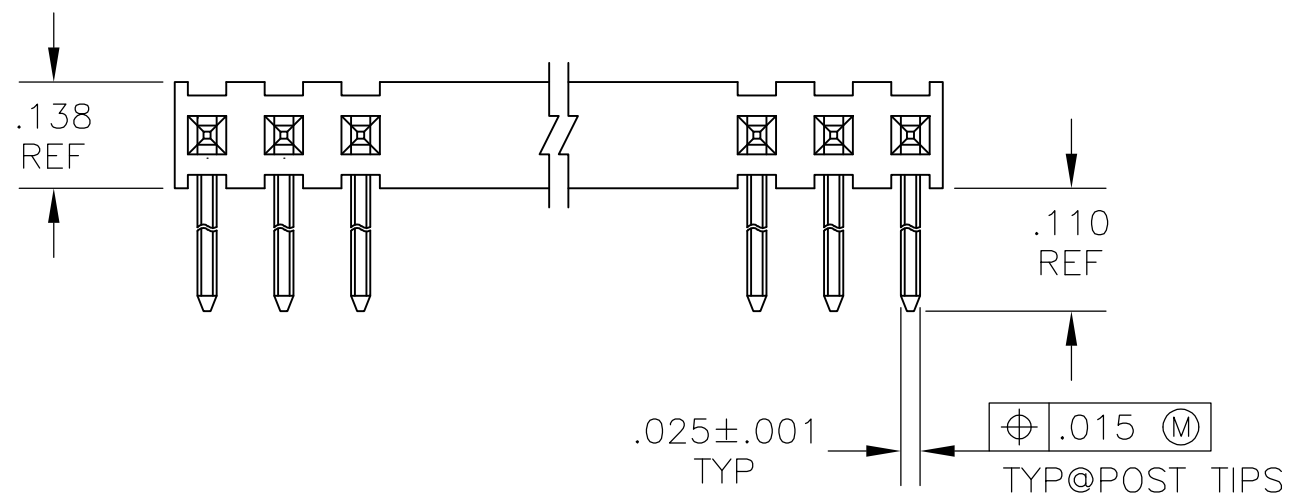
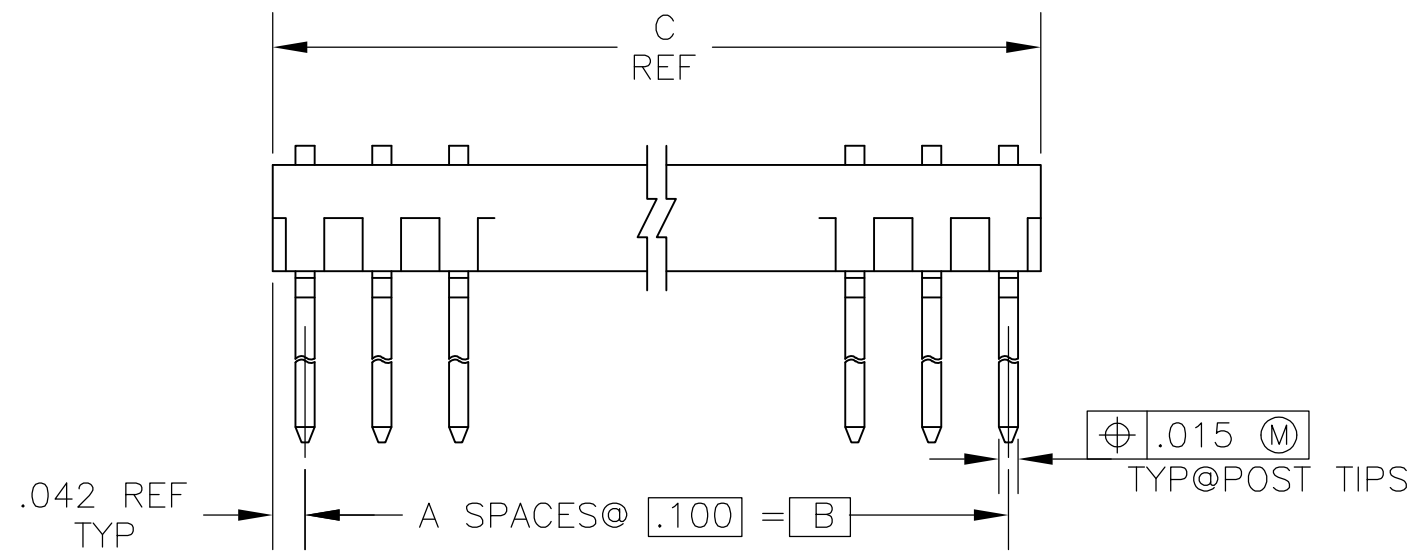


THIS DRAWING IS UNPUBLISHED. RELEASED FOR PUBLICATION  
 © COPYRIGHT - By - ALL RIGHTS RESERVED.

LOC	DIST	REVISIONS			
P	LTR	DESCRIPTION	DATE	DWN	APVD
AD	39	J3	PART STATUS UPDATED IN THE PARTS LIST TABLE	07OCT2015	KJK PS



RECOMMENDED HOLE LAYOUT

NOTES:

- 1 TOLERANCE NON-CUMULATIVE
- 2 POINT OF MEASUREMENT FOR PLATING THICKNESS
- 3 .000015 GOLD ON CONTACT AREA GOLD FLASH ON SOLDER AREA. ALL OVER .000050 NICKEL
- 4 HOUSING: FLAME RETARDANT THERMOPLASTIC  
COLOR: BLACK  
POST : PHOS. BRONZE

3.984	3.900	39	40	4-87233-0
3.884	3.800	38	39	3-87233-9
3.784	3.700	37	38	3-87233-8
3.684	3.600	36	37	3-87233-7
3.584	3.500	35	36	3-87233-6
3.484	3.400	34	35	3-87233-5
3.384	3.300	33	34	3-87233-4
3.284	3.200	32	33	3-87233-3
3.184	3.100	31	32	3-87233-2
3.084	3.000	30	31	3-87233-1
2.984	2.900	29	30	3-87233-0
2.884	2.800	28	29	2-87233-9
2.784	2.700	27	28	2-87233-8
2.684	2.600	26	27	2-87233-7
2.584	2.500	25	26	2-87233-6
2.484	2.400	24	25	2-87233-5
2.384	2.300	23	24	2-87233-4
2.284	2.200	22	23	2-87233-3
2.184	2.100	21	22	2-87233-2
2.084	2.000	20	21	2-87233-1
1.984	1.900	19	20	2-87233-0
1.884	1.800	18	19	1-87233-9
1.784	1.700	17	18	1-87233-8
1.684	1.600	16	17	1-87233-7
1.584	1.500	15	16	1-87233-6
1.484	1.400	14	15	1-87233-5
1.384	1.300	13	14	1-87233-4
1.284	1.200	12	13	1-87233-3
1.184	1.100	11	12	1-87233-2
1.084	1.000	10	11	1-87233-1
.984	.900	9	10	1-87233-0
.884	.800	8	9	87233-9
.784	.700	7	8	87233-8
.684	.600	6	7	87233-7
.584	.500	5	6	87233-6
.484	.400	4	5	87233-5
.384	.300	3	4	87233-4
.284	.200	2	3	87233-3
.184	.100	1	2	87233-2
.084	-	-	1	87233-1
C	B	A	NO OF POS	PART NO

THIS DRAWING IS A CONTROLLED DOCUMENT.

DIMENSIONS: INCHES	TOLERANCES UNLESS OTHERWISE SPECIFIED:	DWN RAGHAVENDRA 24FEB09	
	0 PLC ± -	CHK GESFORD JEFFREY 24FEB09	
	1 PLC ± -	APVD GESFORD JEFFREY 24FEB09	
	2 PLC ± -	NAME	
MATERIAL	FINISH	PRODUCT SPEC	HEADER ASSY, MOD II, .100C/L, SINGLE ROW, RIGHT ANGLE, .025 SQUARE POST
		APPLICATION SPEC	SIZE A2 CAGE CODE 00779 DRAWING NO C=87233 RESTRICTED TO -
		WEIGHT -	SCALE 4:1 SHEET 1 of 1 REV J3
		CUSTOMER DRAWING	